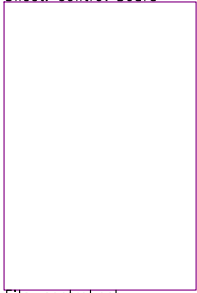
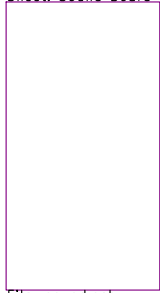


Sheet: Control Board



File: control.sch

Sheet: Sound Board



File: sound.sch



(c) 2022 Andreas Messer

Sheet: /  
File: modular-synth-drums.sch

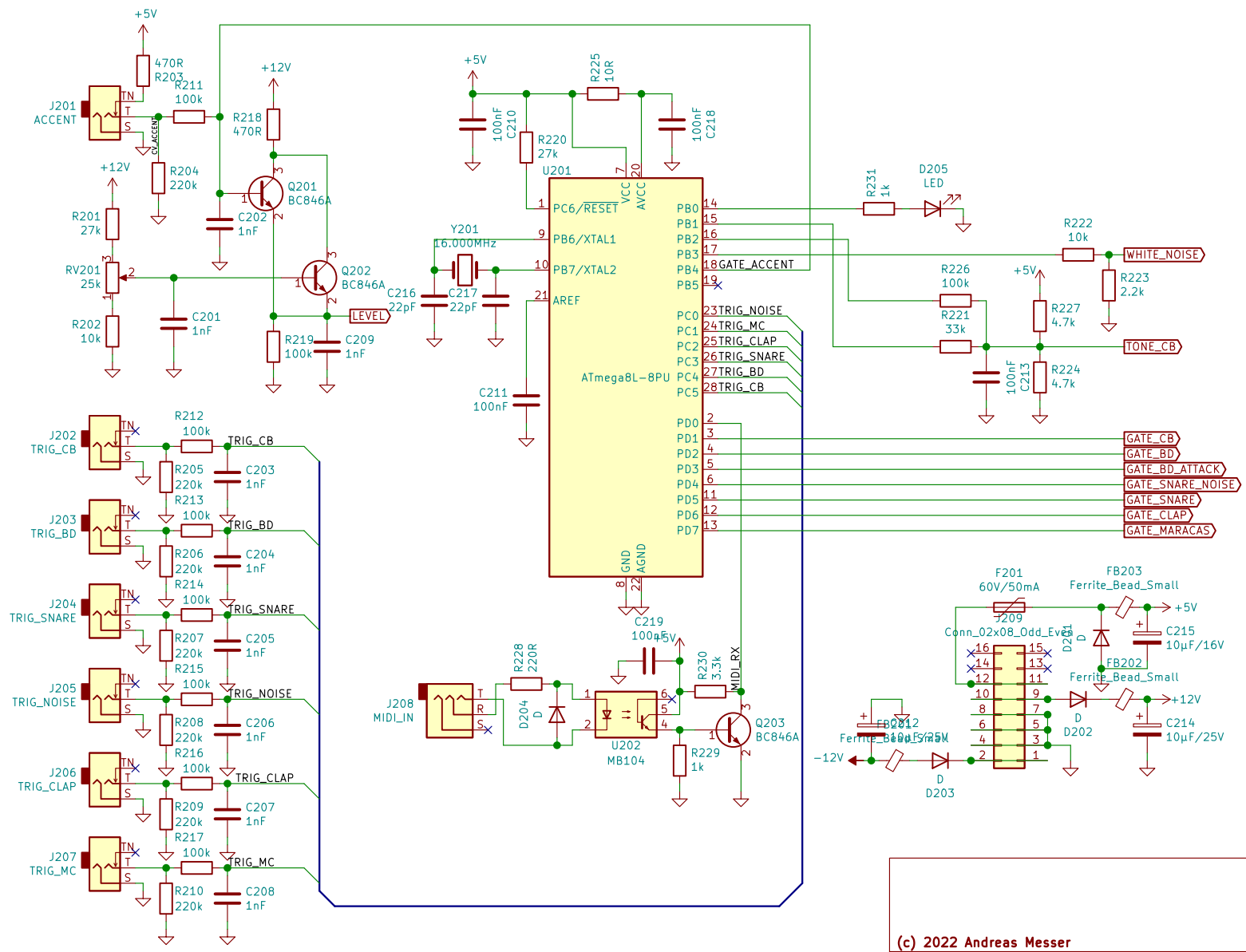
**Title: Modular Drums**

Size: A4 Date: 2022-12-01

Rev: 1

KiCad E.D.A. kicad 5.1.9+dfsg1-1+deb11u1

Id: 1/3



(c) 2022 Andreas Messer

Sheet: /Control Board/  
File: control.sch

**Title: Modular Drums**

Size: A4 Date: 2022-12-01

KiCad E.D.A. kicad 5.1.9+dfsg1-1+deb11u1

Rev: 1

Id: 2/3

